

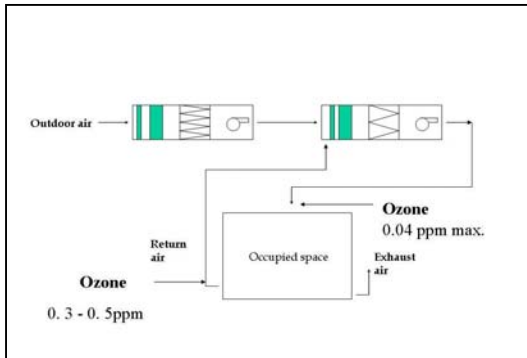


OZONE TECH

Ozone For HVAC Systems

Ozone has been successfully used in bars, smoking rooms, cocktail lounges, taverns, airport smoking areas, karaoke lounges etc., for the removal of VOCs, smell, bacteria, mould, mildew and other micro organisms from the HVAC system. Smart sensors used ensure that the ozone in the treated room does not exceed 0.03-0.05 ppm. The ASHRAE standard for ozone is 0.05 ppm.

Ozone is increasingly being used in HVAC systems to improve the indoor air quality and also to improve the energy efficiency of the HVAC cooling coils.



Advantages

- Ozone generators in SS & easy to install
- Easy to control ozone concentration by sensors.
- Fan cooled. No cooling water required!
- Compact in design combined with high efficiency
- Adjustable ozone sensor (0.02 – 0.1 ppm)
- Air pump for feed gas with ozone outputs in SS fittings.



Ozone is fed in the return ducts. This ensures that there will not be any leakages in the occupied areas of the HVAC system since the return ducts are always under negative pressure. By the time the treated air passes through the AHU fan coils and return to the occupied areas via supply ducts the ozone concentration would have fallen to allowable exposure limits.



The injection of ozone in the return duct also enables injecting ozone at higher concentrations which are needed for VOC oxidation.

Smart sensors installed in the occupied areas display the ozone concentration and cuts off the ozone generator when the set limits are reached.

Ozone Tech (Singapore) Pte Ltd.

10 Anson Road; #13-01 International Plaza; Singapore 079903; Phone: +65 67649667
Website: www.ozonetech.com.sg ; E-Mail: info@ozonetech.com.sg ; Skype ID: ozone-tech